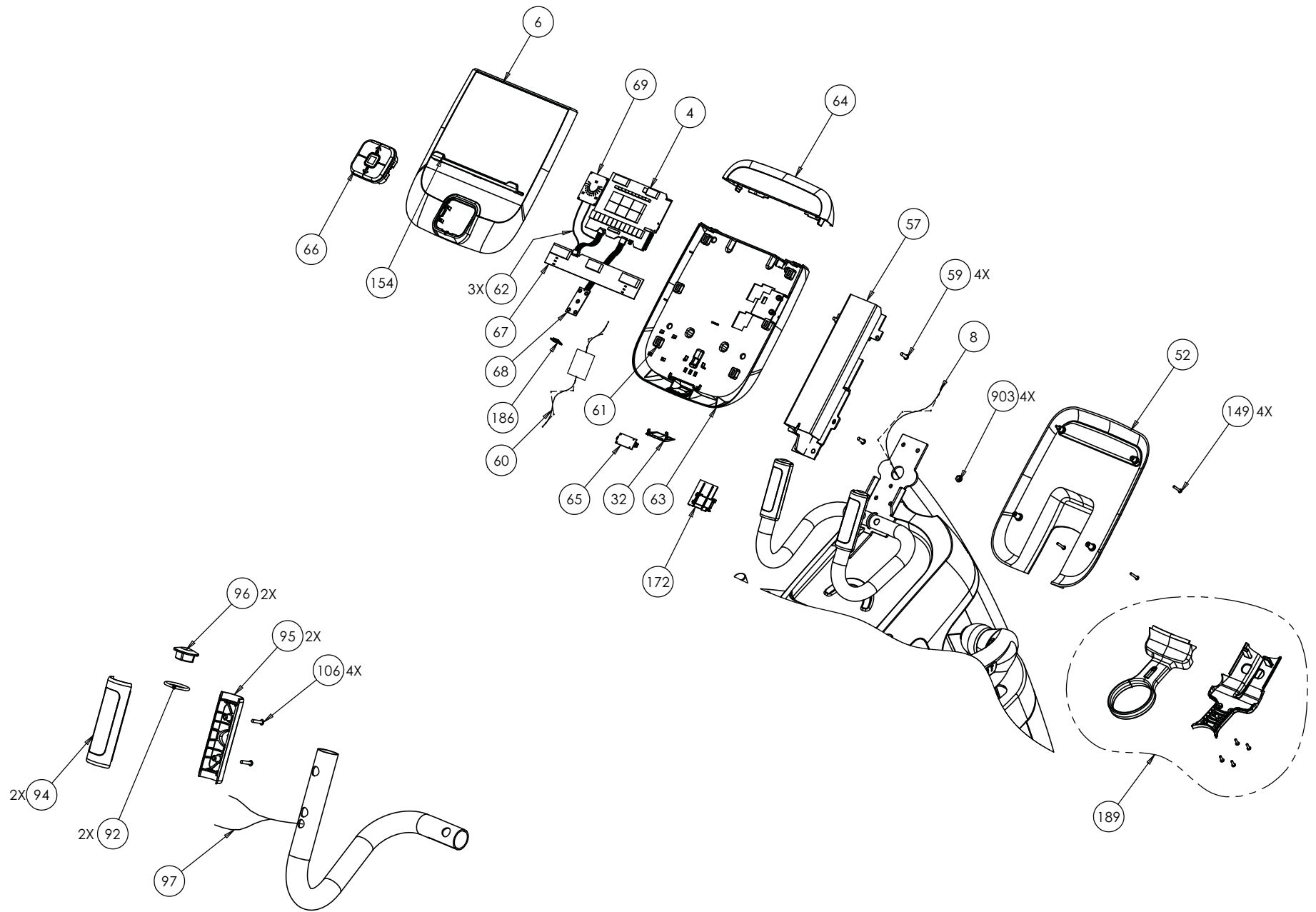
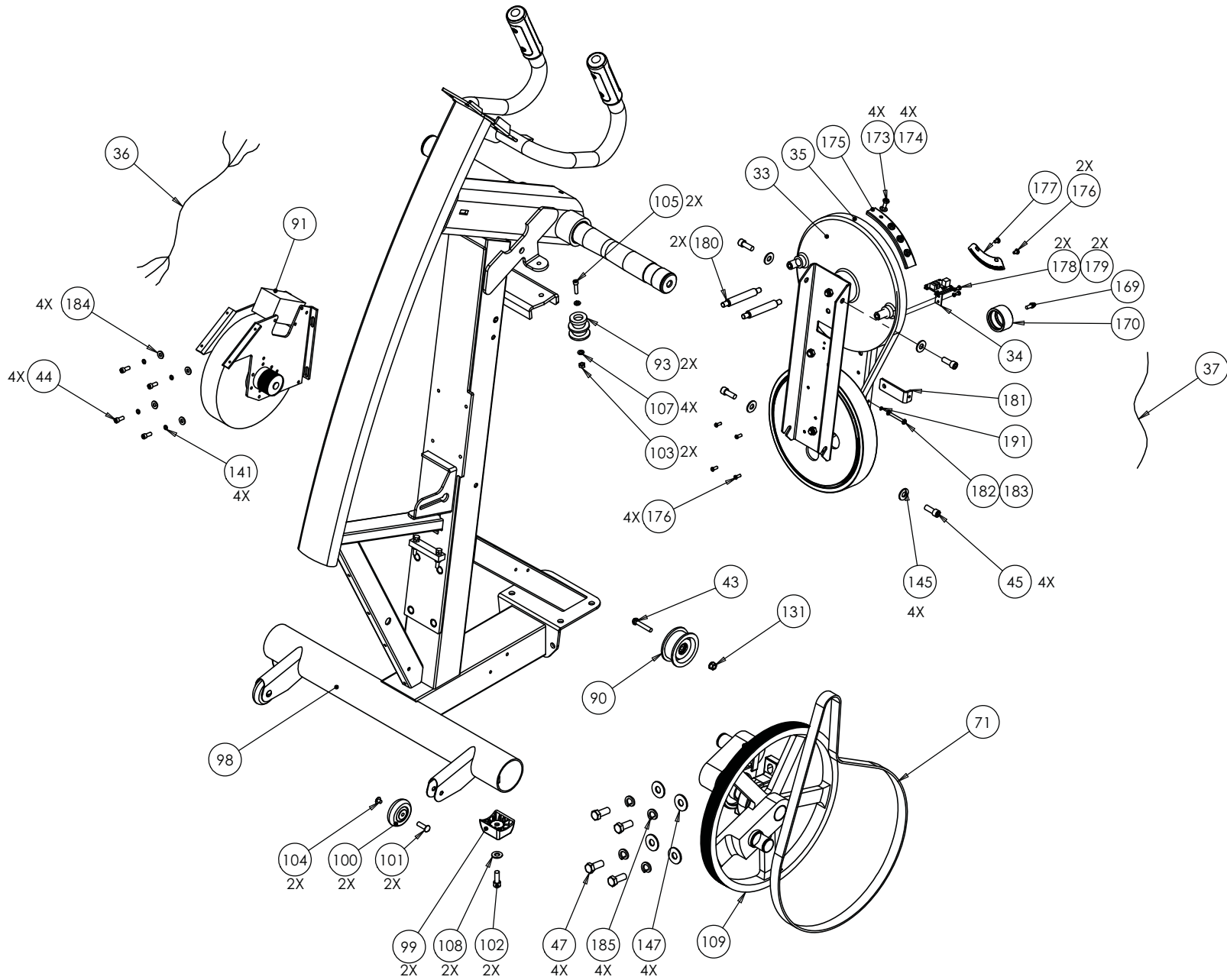
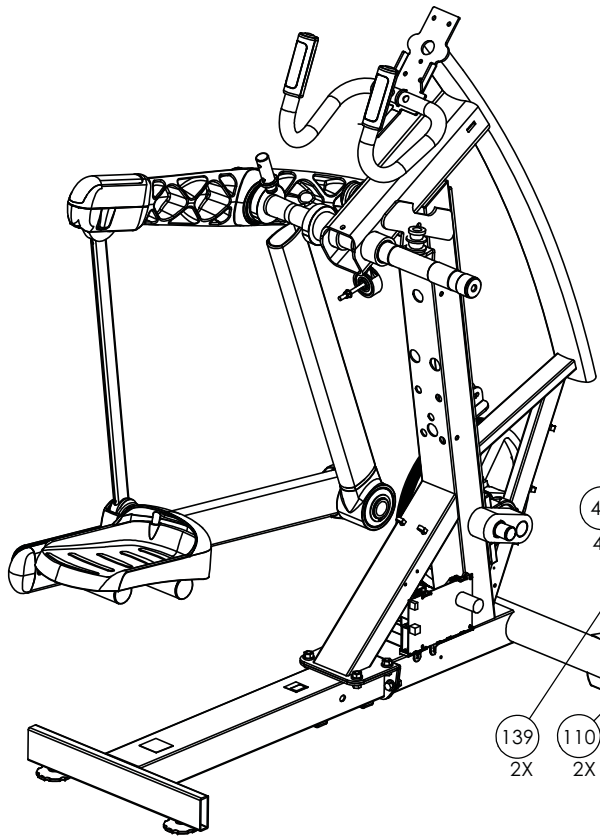


C100i	P/N : 49388-101	SUBREV : AM
DRAWN BY : MAH	DATE : 06.29.10	SHEET 1 OF 6



HHHR DETAIL





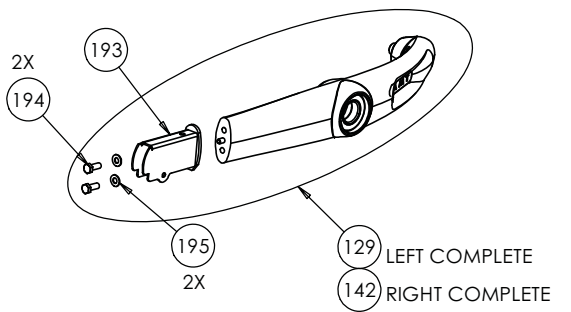
- 2X 102
- 2X 143
- 2X 29
- 167 2X

- 4X 49
- 2X 111
- 4X 148
- 2X 46
- 4X 168
- 130 2X
- 47 4X
- 146 8X
- 139 2X
- 110 2X
- 41 2X

- 2X 112
- 4X 168
- 8X 151
- 2X 162
- 2X 42
- 4X 113
- 2X 140

- 2X 140
- 4X 157
- 38 2X
- 40 4X
- 173 2X

LEFT 30
RIGHT 31



- 2X 194
- 193
- 195 2X
- 129 LEFT COMPLETE
- 142 RIGHT COMPLETE

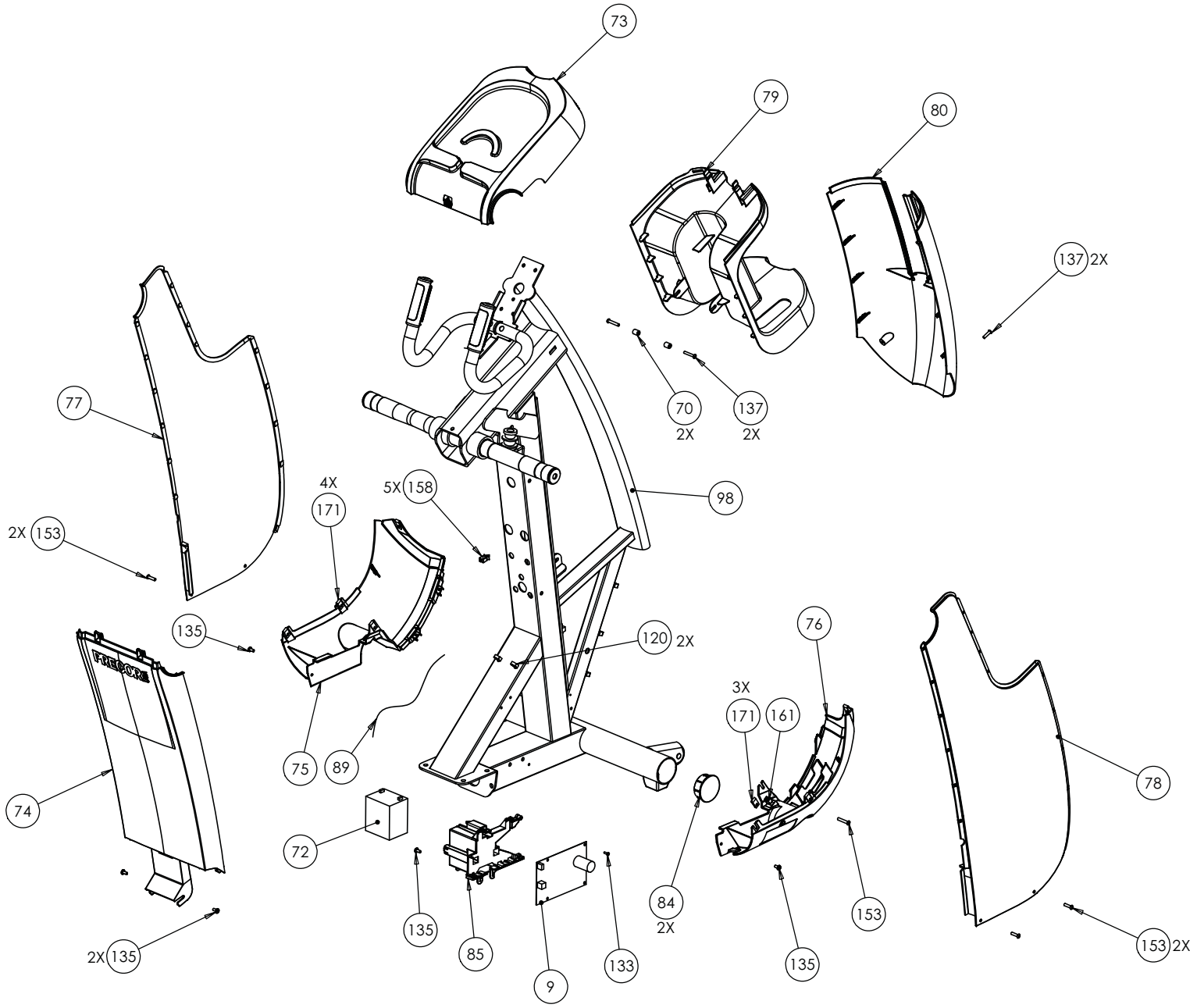
- 2X 86
- 2X 87
- 156 2X
- 2X 88
- 4X 88
- 4X 140
- 4X 88
- 4X 850
- 165 2X
- 2X 155
- 2X 42
- 2X 83

- 134 4X
- 4X 125
- 2X 115
- 2X 114

121 LEFT
122 RIGHT

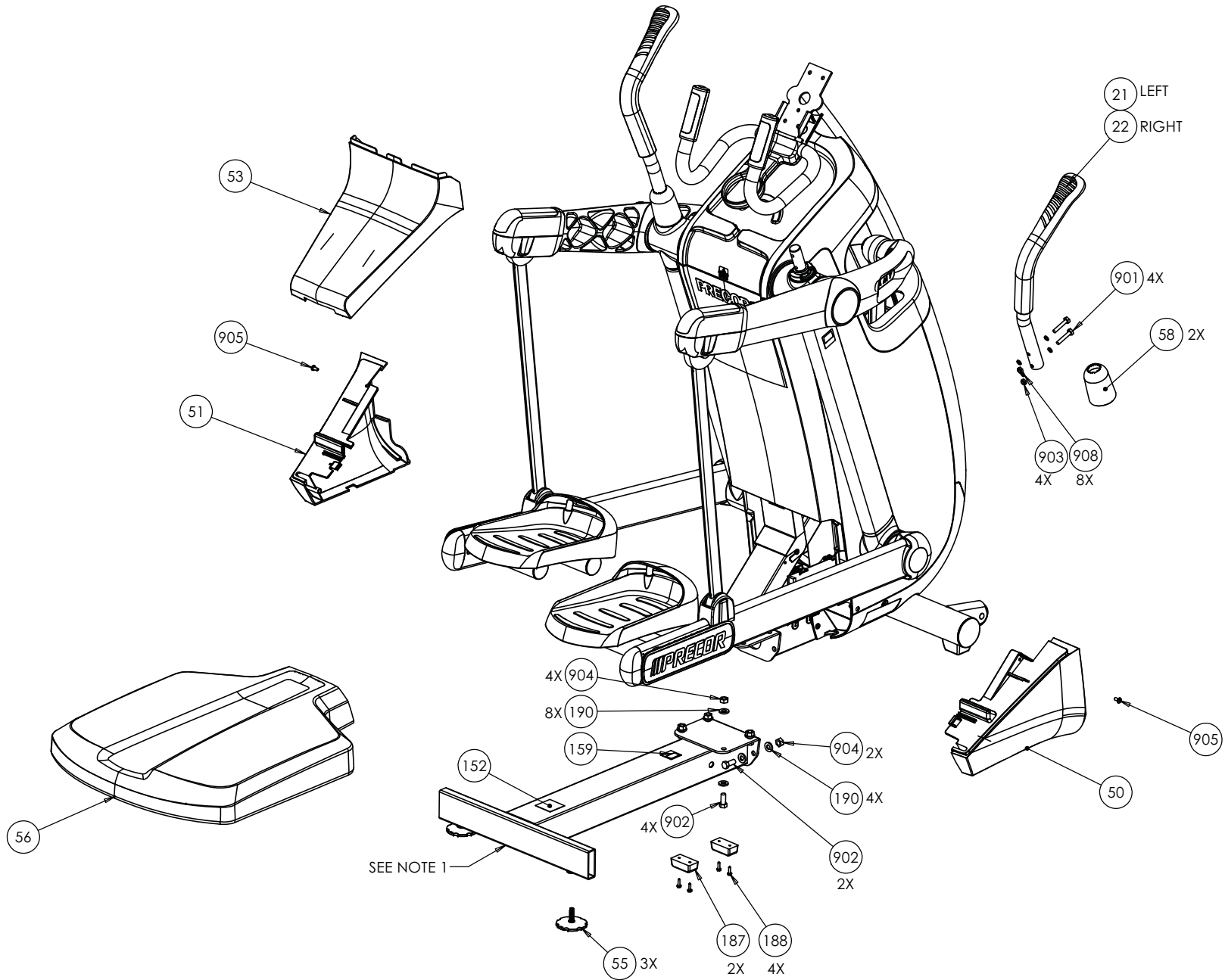
- 2X 119
- 4X 127
- 4X 123

- 116 2X
- 153 4X
- 117 2X
- 125 4X
- 118 2X



NOTES:

- ON AMT'S MANUFACTURED PRIOR TO THE 19TH UNIT ON 02/18/2009
ORDER BUBBLE # 28.
- ON AMT'S MANUFACTURED STARTING WITH THE 19TH UNIT ON 02/18/2009
ORDER BUBBLE # 54.



C100i (serial code A927, AA94, AACY)

Part Number	Description	Bubble Number
PPP00000048434403	PCA,DISPLAY,CL	4
PPP00000049465101	ASSEMBLY, DISPLAY PANEL/LABELS, C10	6
PPP00000049791090	ASSY, CABLE, MODULAR WITH FERRITE	8
PPP00000049702101	SY,LOWER PCA & SW,GEN-BRAKE LOWER	9
PPP00000049183101	ASSY, MOVING HANDLEBAR, LH	21
PPP00000049183102	ASSY, MOVING HANDLEBAR, RH	22
PPP00000049108101	ASSEMBLY,FRAME,BASE	28
PPP00000049196103	ASSEMBLY,CONNECTING ROD,UPPER	29
PPP00000049185111	ASSY,FRONT ARM,LH	30
PPP00000049185112	ASSY,FRONT ARM ,RH	31
PPP00000049401102	BOARD, CHR & WIRELESS, SALUTRON	32
PPP00000049399101	ASSEMBLY,EDDY BRAKE	33
PPP000000300460101	PCA, HORIZONTAL POSITION SENSOR ASS	34
PPP00000049116101	HTD BELT, HORIZ. BRAKE	35
PPP00000049403036	ASSY, CABLE, V-BRAKE EXTENSION,36"	36
PPP00000049441036	ASSY,CBL,MOD,4P4C,1-1,SILVER,36"	37
PPP00000049219103	LINK PIN, LONG	38
PPP00000AAHN063003	RING, RETAINER, 5/8, EXTERNAL	40
PPP00000AAHN110005	RING,RETAINER,EXTERNAL,TREADS	41
PPP00000ABKN045006	RETAINER, EXTERNAL, 45MM	42
PPP00000BACN031175	BOLT, CARRIAGE, 5/16-18 X 1.75	43
PPP00000CAMN025075	SCREW, SKHD, 1/4 X 0.75, ZN,(MECH P	44
PPP00000CAMN038100	SCREW, SKHD, 3/8-16 X 1, ZN, (MECH	45
PPP00000HCCN031350	SCREW,HEX,GR5,5/16-18X3-1/2, ZN	46
PPP00000HCCN050150	SCREW,HEX,GR5,1/2-13 X 1.50, MECHAN	47
PPP00000KACN050019	LOCKNUT,HALF,1/2-13,ZN	49
PPP00000039904101	COVER, FRAME JOINT, RIGHT	50
PPP00000039904102	COVER, FRAME JOINT, LEFT	51
PPP00000039909101	COVER, REAR	52
PPP00000039944101	ASSEMBLY, FRAME JOINT, TOP	53
PPP00000049108102	ASSEMBLY,FRAME,BASE	54
PPP00000049109102	WELDMENT,FRAME,BASE,PNTD	54
PPP00000039916103	FOOT, ADJUSTING,NO LOGO	55
PPP00000049710101	ASSY, FOOT PLATFORM, BOXED	56
PPP00000049220101	WELDMENT,DISPLAY-C SUPPORT	57
PPP00000039903101	COVER, HANDLEBAR	58
PPP00000TFTN025075	SCREW,BTHD,1/4-20X3/4,BLK SHARPERIZ	59
PPP00000049717016	ASSY, CABLE, HHR TO DISPLAY, 16"	60
PPP00000012262102	WIRE CLIP,FOAM TAPE BACK	61
PPP00000048602009	ASSY,CABLE,6C,.1 CTR,1-1,GOLD,9"	62
PPP00000048707101	BACK PANEL, DISPLAY-C, W/O USB	63
PPP00000048713101	TOP, DISPLAY-C, BLANK	64
PPP00000048714101	ACCESS PANEL, HEADPHONE JACK	65
PPP00000048734111	D-PAD, 3 BUTTON, BIKE & EFX, ICON	66
PPP00000048947103	ASSY, PCA & SW, DISPLAY-C, METRICS,	67
PPP00000049003401	PCA, SNAPDOME D-PAD	68
PPP00000049410101	ASSY, PCA & SW, LED STRIDE DIAL	69
PPP00000010196124	SPACER, NYLON, .5 OD, .257 ID, .625	70
PPP00000010217143	BELT, DRIVE, 610J10 POLY V,61"	71
PPP00000012258040	BATTERY,SLA,12V,4AH,.187 TABS	72
PPP00000039900103	COVER, TOP	73
PPP00000039901101	COVER, BACK	74
PPP00000039941101	ASSY, COVER, LOWER LEFT	75

C100i (serial code A927, AA94, AACY)

PPP00000039942101	ASSY, COVER, LOWER RIGHT	76
PPP00000039905103	SIDE COVER, LEFT	77
PPP00000039905104	SIDE COVER, RIGHT	78
PPP00000049804103	ASSY, COVER, LINKAGE	79
PPP00000039907102	COVER, FRONT	80
PPP00000039911107	WATER BOTTLE SUPPORT, TOP, CLOSED,	81
PPP00000039911106	WATER BOTTLE SUPPORT, BOTTOM, POLYP	82
PPP00000039914101	CAP, UPPER ARM CASTING	83
PPP00000039919101	CAP, FRAME, ROUND TUBE	84
PPP00000039923101	BRACKET, BATTERY/PCA	85
PPP00000039924101	ARM COVER, TOP W/ OVERMOLD	86
PPP00000039925102	ARM COVER, BOTTOM	87
PPP00000039930101	WASHER, THRUST, PLASTIC	88
PPP00000045250017	ASSY,CBL,2C,16AWG,QK DISC,17"	89
PPP00000046825101	PULLEY,IDLER,FLANGED	90
PPP00000048370103	ASSEMBLY,SP,GENERATOR,6302 BRG,AMX,	91
PPP00000010115113	O-RING, ROUND, 1.25ID X .139	92
PPP00000039932101	END STOP CUSHION	93
PPP00000042713102	HHRH SENSOR, TOP	94
PPP00000042714102	HHRH SENSOR, BOTTOM	95
PPP00000042730101	PLUG, HHRH, HANDLE BAR END	96
PPP00000047342027	ASSY, CABLE, HHRH PCA TO GRIP, W/SH	97
PPP00000049110108	WELDMENT, FRAME, UPPER, PAINTED	98
PPP00000049195101	FRONT FOOT	99
PPP00000049911101	WHEEL, TRANSPORT, SOLID, ORANGE	100
PPP0000KBKCN025100	NUT, BARREL, STEEL, TRUSS HEAD, UNC, 1/4	101
PPP00000CAMN038100	SCREW, SKHD, 3/8-16 X 1, ZN, (MECH	102
PPP00000012112101	RIVNUT, INSERT, HEX, 1/4-20	103
PPP00000MCCN025031	SCREW, 1/4-20 X 5/16, MACH, TRUSS PH	104
PPP00000CAMN025100	SCREW, SKHD, 1/4-20X1, ZN (MECH PLATIN	105
PPP00000TCNN016075	SCREW, BTHD, 8-32X.75, SS	106
PPP00000KGCN025020	LOCKNUT, STARWASHER, 1/4-20, ZN	107
PPP00000WRCN038011	WASHER, GRADE 8, 3/8, 13/32 ID, 13/16OD	108
PPP000000049150102	ASSEMBLY, INPUT CRANK	109
PPP000000049155102	ASSEMBLY CONNECTING ROD, LOWER, UNP	110
PPP000000300168101	ASSEMBLY, CAST TIE ROD	111
PPP000000049163103	ASSEMBLY, REAR LINK	112
PPP000000039915101	CAP, FOOT PEDAL TUBE	113
PPP000000039917101	ENDCAP, STAIRARM, FRONT, INNER	114
PPP000000039917102	ENDCAP, STAIRARM, FRONT, OUTER	115
PPP000000039943101	ASSY, ENDCAP	116
PPP000000039920101	STAIR ARM LOGO, BASE	117
PPP000000039920102	STAIR ARM LOGO, PLATE	118
PPP000000039931102	ASSEMBLY, FOOT PEDAL	119
PPP00000012414101	CABLE CLAMP INSERT, SNAP IN	120
PPP000000049167103	WELDMENT, STAIRARM, LH, PNTD	121
PPP000000049167104	WELDMENT, STAIRARM, RH, PNTD	122
PPP00000CAMN025250	SCREW, SKHD, 1/4-20X2.50, MECHANICAL Z	123
PPP00000PPMN019100	SCREW, S/T, #10X1.0, FLATHD, PHIL, CLEAR	125
PPP00000TFTN025075	SCREW, BTHD, 1/4-20X3/4, BLK SHARPERIZ	126
PPP00000WBCN025006	WASHER, FLT, 1/4X.500X.063, ZN (MECH	127
PPP000000049980101	ASSEMBLY, UPPER ARM, LH	129
PPP00000KDCN031025	LOCKNUT, FULL 5/16-18, ZINC	130
PPP00000KGCN031027	LOCKNUT, STARWASHER, 5/16-18, 1/2	131
PPP00000MGCN016050	SCREW, MCH, 8-32X1/2, PANHD, PHIL,	132

C100i (serial code A927, AA94, AACY)

PPP00000MGTN016050	MACHINE SCREW, 8-32 X 1/2, PHIL PAN	133
PPP00000MGTN016150	SCREW, MACHINE, 8-32X1.5, PANHD, PH	134
PPP00000PANTN025050	SCREW,S/T,#1/4-20X1/2,PANHD,PHIL,TR	135
PPP00000TACN025150	SCREW,BTHD,1/4-20X1-1/2,ZN	137
PPP00000WAKNN032004	WASHER, WAVE, SSB-0158	139
PPP00000WAKNN046006	WASHER, WAVE, SSB-0217	140
PPP00000WALCN025006	WASHER, SPLIT LOCK, 1/4 MED,	141
PPP000000049980102	ASSEMBLY, UPPER ARM, RH	142
PPP00000WALCN038009	WASHER, 3/8 SPLIT LOCK, ZINC	143
PPP00000WTCN031008	WASHER,GRADE 8, 5/16, ID=.375, OD=.	145
PPP00000WNCN050005	WASHER, FLAT, CUSTOM, 1/2, ID=.531,	146
PPP00000WRCN050010	WASHER,GRADE 8, 1/2, ID=.531, OD=1.	147
PPP00000WCCN038008	WASHER, FLT, 3/8X1.00X.083	148
PPP00000MGCN016100	MACHINE SCREW, 8-32 X 1, PAN HEAD	149
PPP00000HCCT038050	SCREW, HEX, GR 5, 3/8-16 X 1/2, ZN,	151
PPP000000039945101	LABEL, CAUTION STEP PLATFORM	152
PPP00000TFTN025075	SCREW,BTHD,1/4-20X3/4,BLK SHARPERIZ	153
PPP000000048712102	BOOK SUPPORT, DISPLAY-C, MAKROBLEND	154
PPP000000039910101	SPACER,PLASTIC,LONG	155
PPP000000039910102	SPACER,PLASTIC,SHORT	156
PPP000000049205101	SPACER, UPPER TIE ROD, NYLON	157
PPP000000011278101	CABLE CLAMP,INSERT	158
PPP000000039939101	LABEL,CAUTION	159
PPP0000HADCN025150	GR5, STEEL, UNC, FULL THREAD, HEX H	161
PPP000000039933102	COVER, LOWER LINK	162
PPP00000WBCN025006	WASHER,FLT,1/4X..500X.063,ZN (MECH	163
PPP000000049178101	PRECOR LOGO	165
PPP000000011278101	CABLE CLAMP,INSERT	166
PPP000000049205102	SPACER, UPPER CONN ROD, NYLON	167
PPP000000049205103	SPACER, REAR TIE ROD, NYLON	168
PPP00000CATE031050	SCREW,SKHD,5/16-18X0.50,BLK SHARPER	169
PPP000000049117101	ASSEMBLY,IDLER PULLEY	170
PPP000000010136108	CLIP, U TYPE, TINNERMAN, 1/4-20	171
PPP000000049744102	SUPPORT, PLASTIC HR ADAPTER	172
PPP00000HMCN006015	SCREW, HEX HD, M8XP1.0X15MM	173
PPP00000WAJCN007002	WASHER, SPLIT LOCK, METRIC, ID=6.5M	174
PPP000000049053101	BELT CLAMP	175
PPP00000MMCE005008	SCREW, M5 X P.08 X 8MM, PHIL, ZINC	176
PPP000000049051101	ENCODER STRIP	177
PPP00000MMCN004008	SCREW, M4 X 8MM, PHIL ,ZINC	178
PPP00000WAJCN004001	WASHER, SPLIT LOCK, STEEL, METRIC,	179
PPP000000300811101	H-BRAKE STANDOFF ENGLISH	180
PPP000000049291101	TENSIONER BRACKET	181
PPP00000MMCN005040	SCREW, M5 X P.8 X 40MM, PHIL, ZINC	182
PPP00000WKCNO05010	WASHER, FLAT, METRIC, ID=5.3MM X OD	183
PPP00000WBCN025006	WASHER,FLT,1/4X..500X.063,ZN (MECH	184
PPP00000WALCN050013	WASHER, 1/2 SPLIT LOCK	185
PPP000000039939101	LABEL,CAUTION	186
PPP000000049805101	D-PAD PCA LOCK CLIP	186
PPP000000031074104	FOOT, FIXED,	187
PPP00000PKCN019075	SCREW,S/T,#10X.75,WSHHXHD,ZN	188
PPP000000057053101	C100I WATER BOTTLE HOLDER KIT	189
PPP00000WRCN044013	WASHER,GRADE 8, 7/16, ID=.471, OD=.	190
PPP00000WAJCN005001	WASHER, SPLIT LOCK, STEEL, METRIC,	191
PPP000000049173105	WELDMENT, UPPER ARM, PAINTED	193

C100i (serial code A927, AA94, AACY)

PPP00000HMCN012030	SCREW, HEX HD, METRIC, GRADE 8.8, F	194
PPP00000WKCNO12002	WASHER, METRIC, PLAIN, NARROW, 12MM X 2	195
PPP000000057029102	CS REPAIR KIT, UPPER ARM ATTACH	201
PPP000000057035101	CS REPAIR KIT, H-BRAKE BOLT REPLACE	202
PPP000000057046101	AMT, FRONT ARM, REPLACEMENT KIT	203
PPP000000051111102	KIT, AMT FRAME HARDWARE GRADE 8	204
PPP000000012771103	BEARING, CYLINDRICAL ROLLER, RADIAL,	850
PPP000000049405105	HARDWARE KIT, 100I	900
PPP00000HCCN031175	SCREW, HEX, GR 5, 5/16-18X1.75, ZN	901
PPP00000HFMT044100	SCREW, GRADE 8, 7/16-20 X1, HEX CAP,	902
PPP00000KGCN031027	LOCKNUT, STARWASHER, 5/16-18, 1/2	903
PPP00000KBPMN044034	NUT, HEX, 7/16-20, GRADE 8, MECH ZI	904
PPP00000PANTN025050	SCREW, S/T, #1/4-20X1/2, PANHD, PHIL, TR	905
PPP00000WBCN031007	WASHER, FLT, 5/16X.688X.065, ZN	908
PPP000000049734106	LITERATURE KIT, AMT C100I, DISPLAY	999